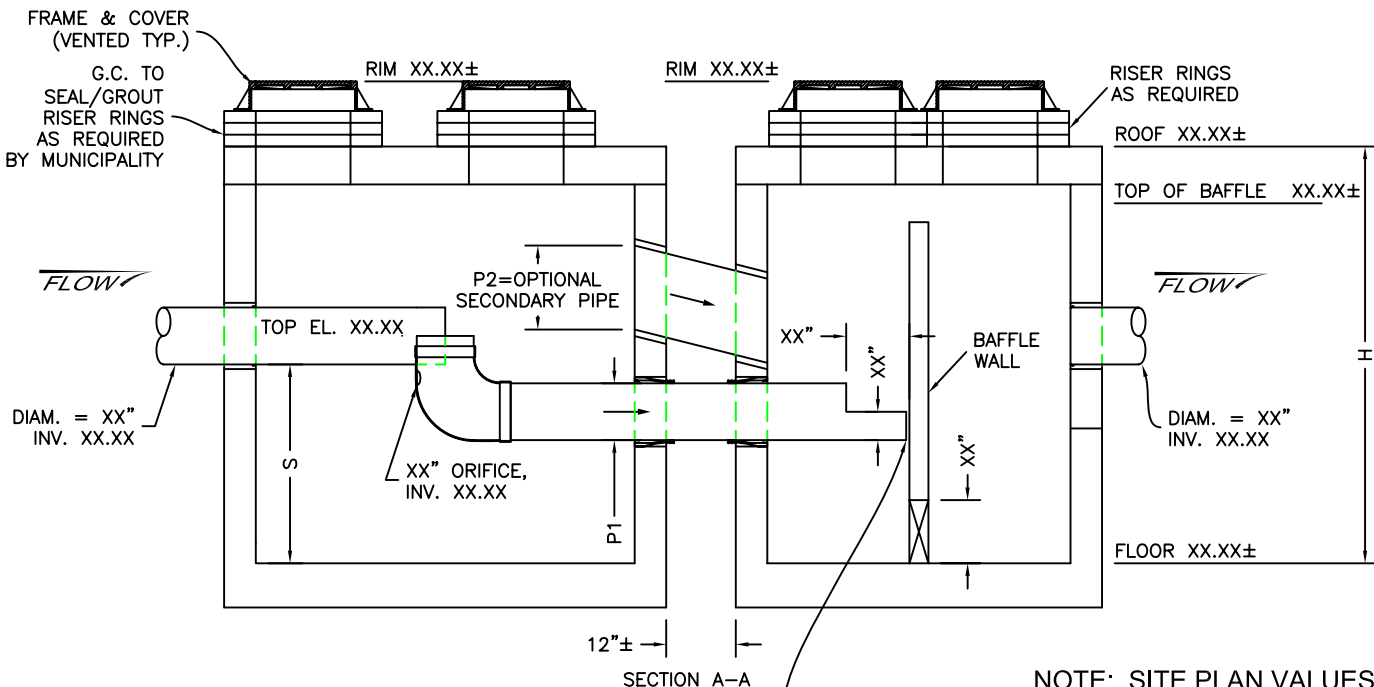
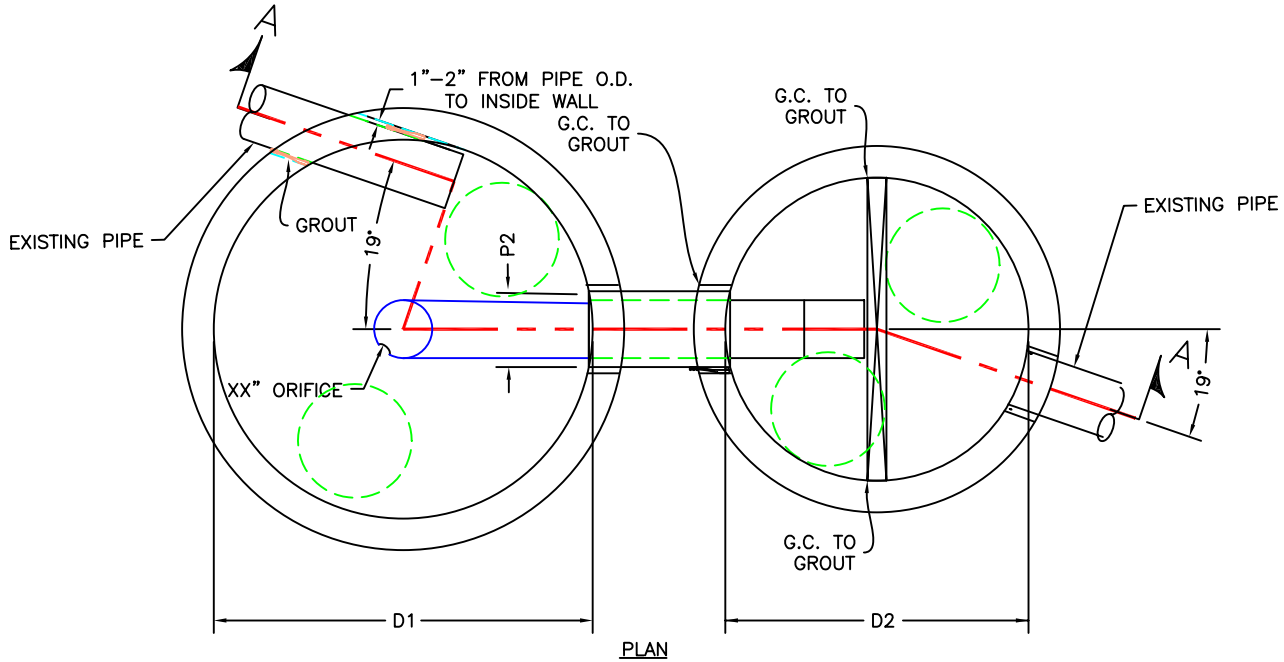


V2B1 SIZING TABLE							
V2B1 MODEL #	IMPERVIOUS AREA, ACRES	D1 (ft.)	D2 (ft.)	H (ft.)	S (ft.)	P1 (in.)	P2 (in.)
3	0.3 -1.3	4	5	7±	4.1±	*	*
4	1.3-2.0	5	5	7±	4.4±	*	*
6	2.0-3.0	6	5	8±	4.7±	*	*
9	3.0-4.0	7	5	8±	4.9±	*	*
11	4.0-5.3	8	6	9±	5.1±	*	*
17	5.3-8.3	10	7	10±	5.5±	*	*
25	8.3-11.7	12	8	11±	5.9±	*	*

**SIZING GUIDELINE FOR TREATMENT:**  
 - AREA RAINFALL INTENSITY = 0.80"/HR  
 - SWIRL CHAMBER(D1) AREA = 10 SF PER IMPERVIOUS ACRE

**MANUFACTURING NOTES:**  
 1) DESIGN OF INTERNAL PVC PIPING PROVIDED TO LICENSED MANUFACTURER BY ENVIRONMENT 21, LLC.  
 2) LOCATION AND SIZE OF MANHOLE OPENINGS MAY BE ADJUSTED BY LICENSED MANUFACTURER.

**NOTES:** (1) PRELIMINARY DESIGN: ASSUME SWIRL CHAMBER(D1) DIAMETER = 3-4x INLET PIPE DIAMETER  
 (2) USE BOOTED CONNECTIONS FOR P1(CORIOLUS) AND P2(OPTIONAL SECONDARY) PIPES.



**GENERAL NOTES:**  
 MANHOLE DESIGN SPECIFICATIONS CONFORM TO LATEST A.S.T.M. C478 SPEC. FOR PRECAST REINFORCED CONCRETE MANHOLE SECTIONS.

DESIGN LOADING: AASHTO HS20-44

PROPRIETARY INFORMATION: PATENTS PENDING - ALL RIGHTS TO ENVIRONMENT 21, LLC.

END OF P1 PIPE OFFSET 1" FROM BAFFLE WALL

**NOTE:** SITE PLAN VALUES USED FOR (1) RIM ELEVATIONS, AND (2) INLET AND OUTLET PIPE MATERIALS, DIAMETERS AND INVERTS